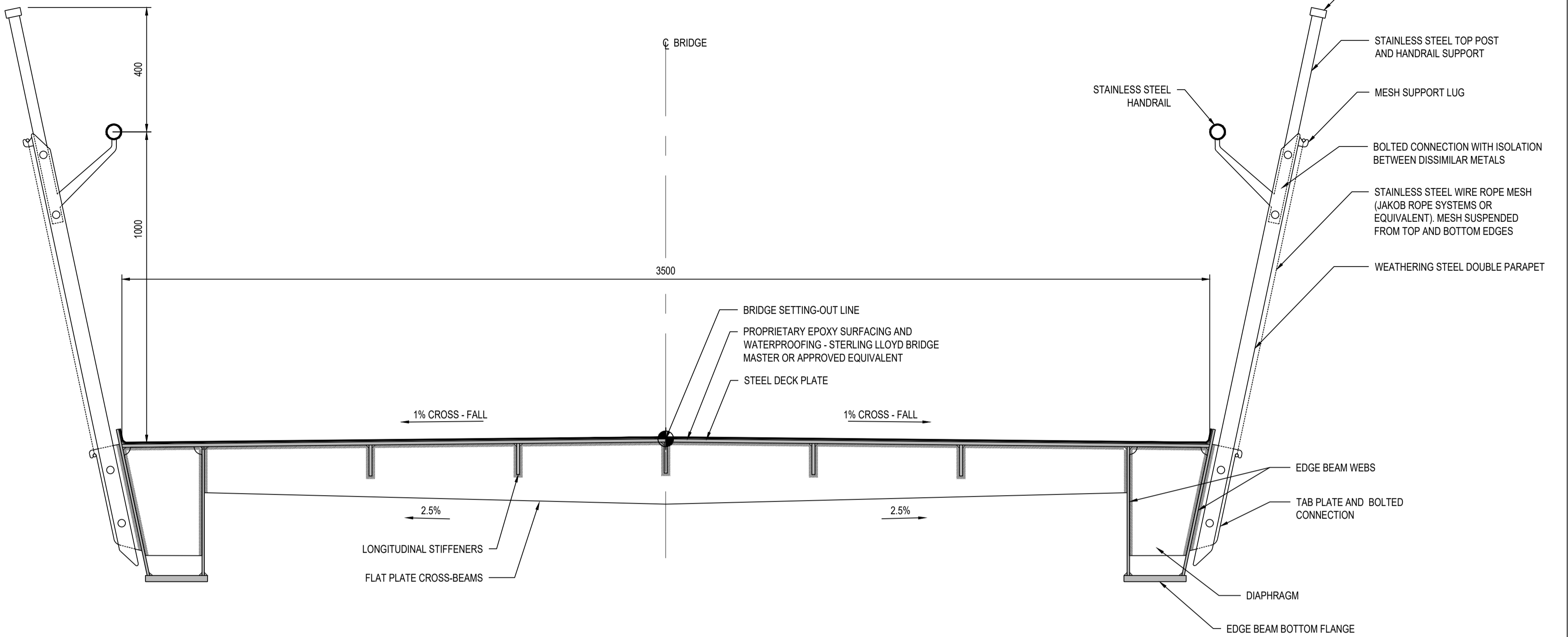
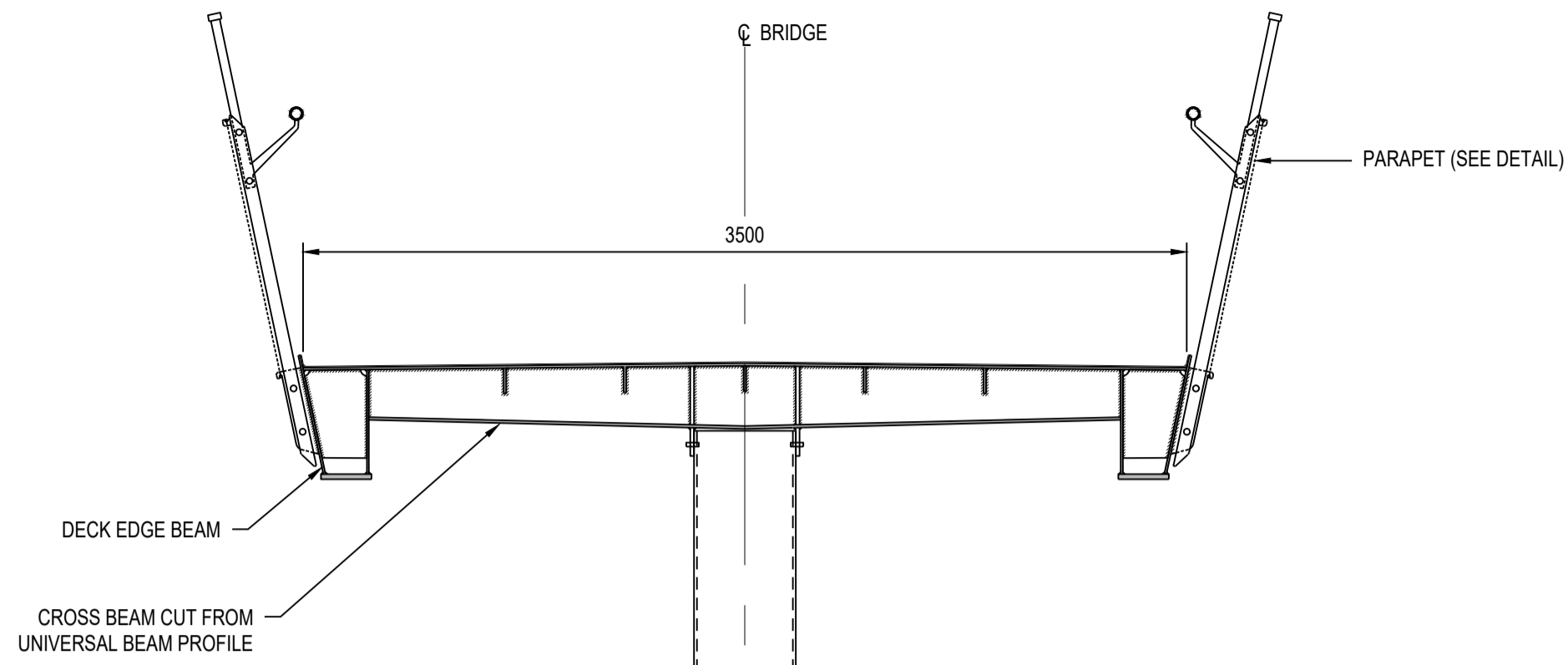
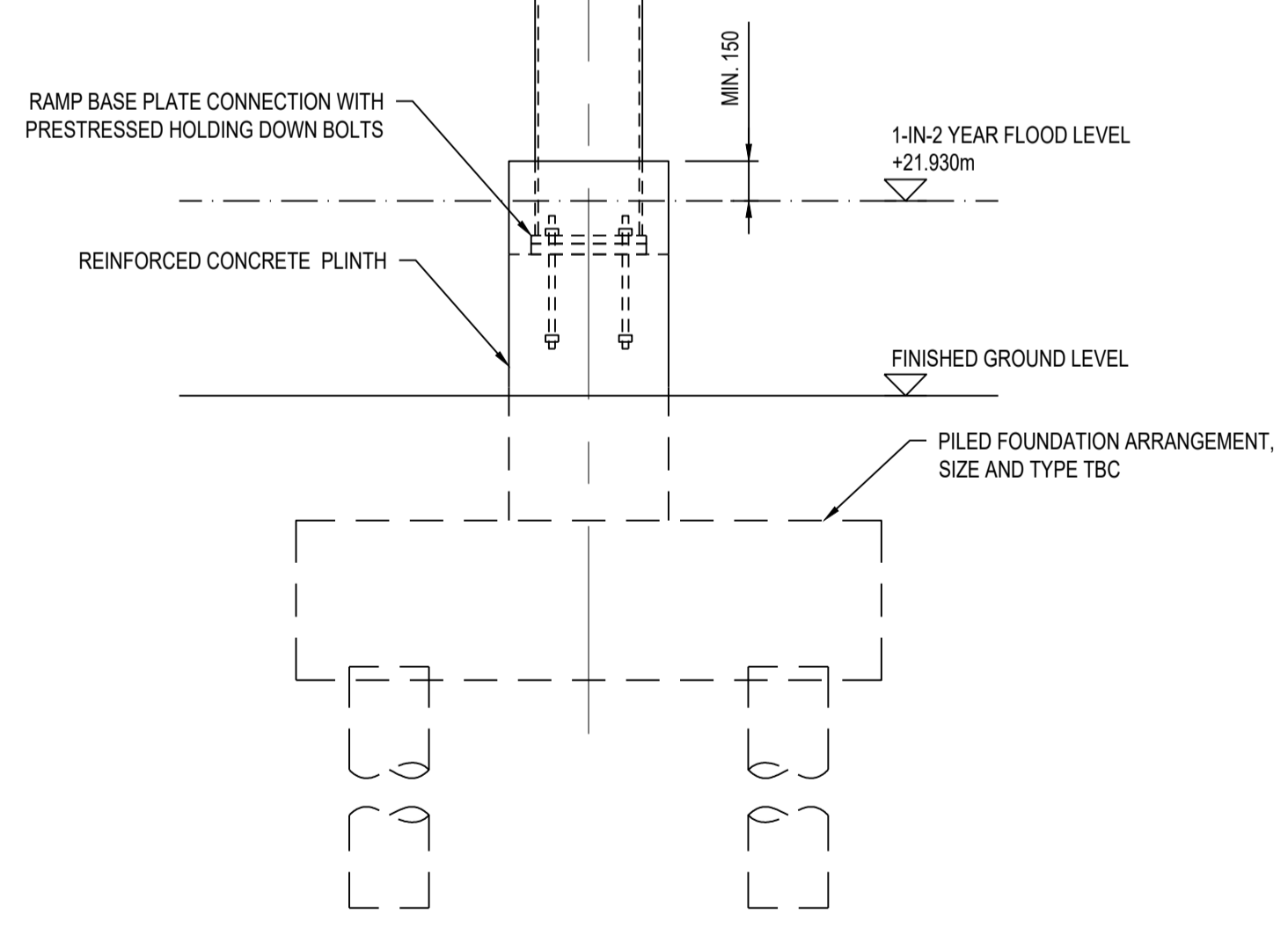


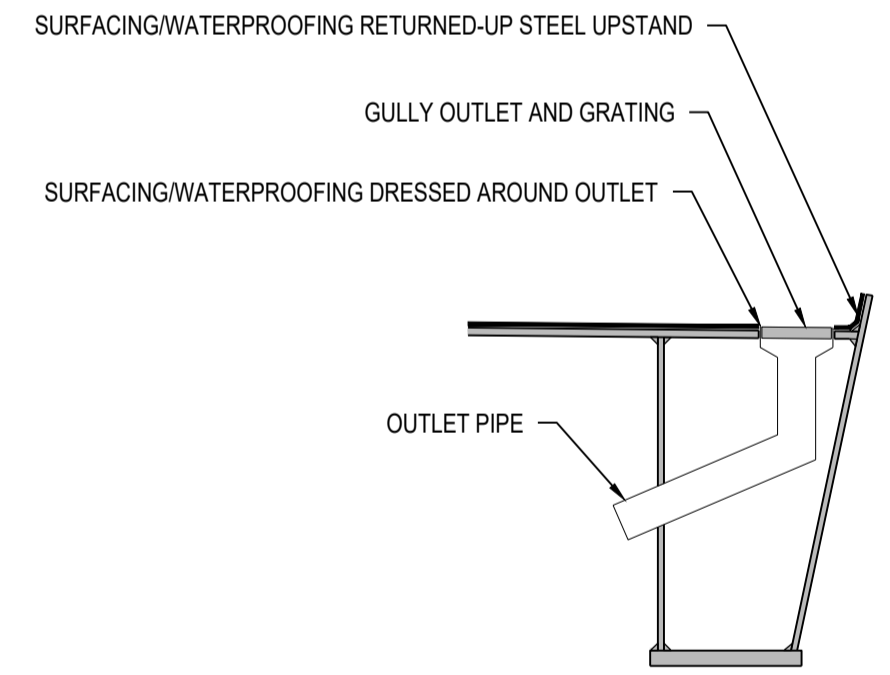
10cm - Caution as distortion can occur.



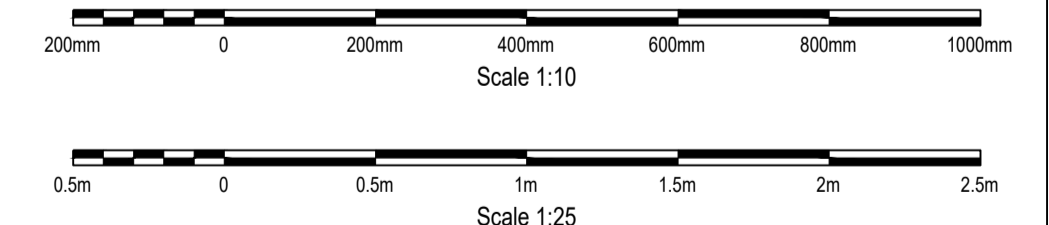
TYPICAL CROSS SECTION THROUGH RAMPS AT STANDARD CROSS-BEAM  
SCALE 1:10



TYPICAL CROSS SECTION THROUGH RAMPS AT COLUMN  
SCALE 1:25



DETAIL AT DRAINAGE OUTLET  
SCALE 1:10



**NOTES**  
1. FOR GENERAL NOTES REFER TO DRAWING HFB-COW-HFB-ALL-DR-CB-1005.

**REFERENCES**  
HFB-COW-HFB-ALL-DR-CH-1010 GENERAL ARRANGEMENT SITE PLAN  
HFB-COW-HFB-ALL-DR-CH-1015 GENERAL ARRANGEMENT DEVELOPED ELEVATION  
HFB-COW-HFB-ALL-DR-CH-1020 GENERAL ARRANGEMENT MAIN SPAN CROSS SECTION

**LEGEND**  
⊕ SETTING OUT POINT (SOP)



**Project:** HAMPTON FOOTBRIDGE  
**Drawing Title:** GENERAL ARRANGEMENT CROSS SECTIONS - RAMP

**Project No.:** A232226  
**Scale:** AS SHOWN  
**Original Paper Size:** A1  
**Drawing Number:** HFB -COW- HFB - ALL - DR - CB - 1021  
**Status:** S3 - SUITABLE FOR REVIEW AND COMMENT  
**Revision:** P01 - FIRST ISSUE  
Use figured measurements only! DO NOT SCALE FROM DRAWING. Verify all dimensions prior to construction. Immediately report any discrepancies to Engineer and if in doubt ASK. This drawing should be read in conjunction with all other associated project information.

P01	FIRST ISSUE	04/08/23	JA	BC
REV.	DESCRIPTION	DATE	DRW.	CHK.

ALL CIVIL DIMENSIONS ARE IN METRES - ALL STRUCTURAL DIMENSIONS ARE IN MILLIMETRES - ALL LEVELS ARE IN METRES.  
Date: 04/08/23  
Approved By: PASS  
Date: 04/08/23  
Checked By: BNCY  
Date: 04/08/23  
Drawn By: JMKR  
Date: 04/08/23  
Design By: CAFL